

SPD-A3-ADV70-T01
DC voltage transmitter

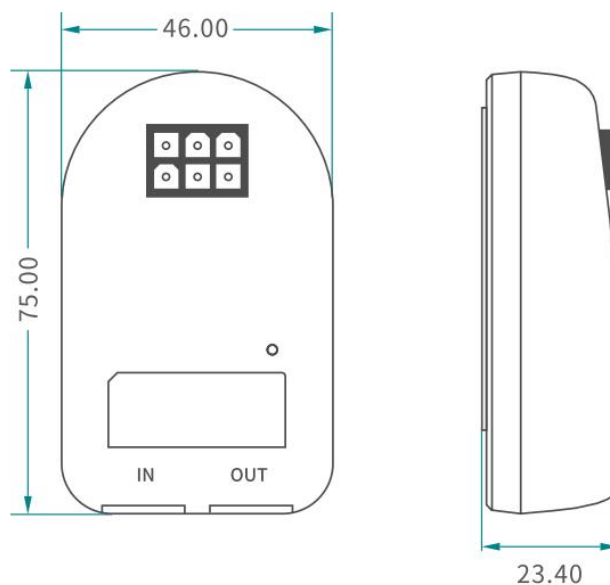
1. Safety and installation precautions

Please be sure to comply with the following regulations, otherwise personal safety may be endangered or the equipment may not be usable!

- Please read the product manual carefully before installation to confirm whether the product fully meets the usage requirements. If you have any questions, please contact the product supplier.
- Check whether the product model is consistent with the corresponding model in the manual.
- Before installation and disassembly, ensure that all external power supplies are disconnected. Please do not power on the device until the device is installed.
- Before powering on the device, make sure that the power supply voltage meets the voltage range required by the device.
- It is required that the shielding layer of the SNS bus communication cable and the equipment grounding terminal be grounded in a reliable way.
- Ensure that the ambient temperature in the area where the equipment is installed is within the range of $-40^{\circ}\text{C}\sim 85^{\circ}\text{C}$, and the relative humidity is maintained at 5%~95%.

2. Dimension

Unit (mm)



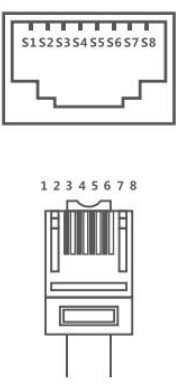
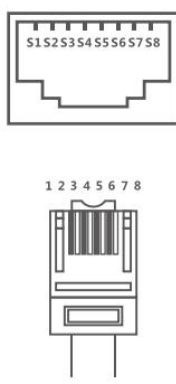
3. Specification

Working voltage	9-16V DC
Communication port	2 x SNS bus ports
Baud rate	4800bps
Dielectric strength	1500V
Voltage measuring accuracy	±0.5%
Protection	Power: PPTC +TVS SNS bus: PPTC +TVS
Over voltage / current protection	Power: 18V / 200mA SNS bus: 18V / 200mA
Hole size	35mm, open style
linear range	100%FS
Lightning protection	Power / SNS bus: 600W
Working environmental	-40℃~85℃, 5%~95%RH, no condensing
Size	75mm(L) x 46mm (W) x 23.4mm (H)

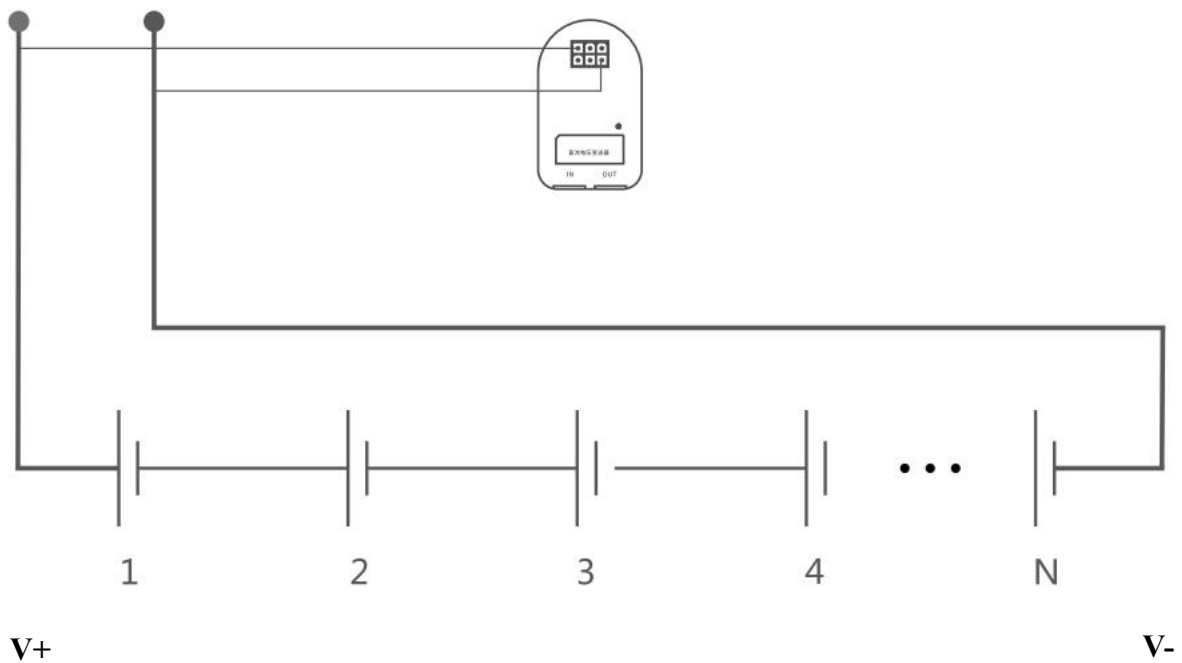
4. Indicator light explanation

Item	Explanation
Indicator light is always on	Device is powered.
Indicator light flash slowly	Device communication is normal.

5. RJ45 PIN explanation

IN	Line sequence	PIN	OUT	Line sequence	PIN
 <p>RJ45 connector</p>	S1(orange white)	TXD	 <p>RJ45 connector</p>	S1(orange white)	TXD
	S2(orange)	RXD		S2(orange)	RXD
	S3(green white)	DIN		S3(green white)	DOOUT
	S4(blue)	GND		S4(blue)	GND
	S5(blue white)	12V+		S5(blue white)	12V+
	S6(green)	GND		S6(green)	GND
	S7(brown white)	12V+		S7(brown white)	12V+
	S8(brown)	GND		S8(brown)	GND

6. Connection



Battery bank

7. Troubleshooting and diagnosis

Issue	Reason	Method
Device light is not on	Power fault	Check the device is powered normally or not

8. Packing list

No.	Name	QTY
1	Device	1
2	Quality card	1
3	Communication cable	1
4	Sampling cable	1
5	Manual	1